

## Stainless Steel- Spoked handwheels

### SPECIFICATION

#### Types

- Type **A**: without handle
- Type **F**: with fixed handle

#### Bore codes

- Version **B**: without keyway
- Version **K**: with keyway

#### Stainless Steel precision casting

- AISI 316
- acid-resistant (A4-Quality)
- Hub machined
- Rim turned and polished
- unmachined surface matt shot-blasted

#### Stainless Steel-Handle



### INFORMATION

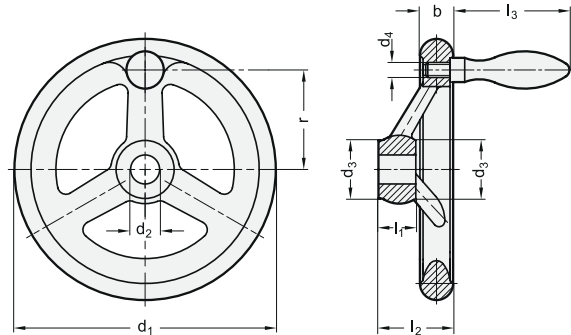
The dimensions of the Stainless Steel-Handwheels GN 950.6 comply extensively with Handwheels DIN 950 (see page 140).

### ON REQUEST

- other bore- $\varnothing$
- with square

### TECHNICAL INFORMATION

- Keyway P9 DIN 6885 (see page A16)
- Cross holes GN 110 (see page A17)
- ISO-Fundamental Tolerances (see page A21)
- Stainless Steel characteristics (see page A26)



\* Complete with Bore codes of the Handwheels (B or K)

**B** without keyway      **K** with keyway

### GN 950.6-A

STAINLESS STEEL

| Description        | d1  | d2 H9 | d3 ≈ | b    | l1 | l2 ≈ | No. of spokes | ⚖    |
|--------------------|-----|-------|------|------|----|------|---------------|------|
| GN 950.6-100-*10-A | 100 | 10    | 25.5 | 14.5 | 17 | 33   | 3             | 433  |
| GN 950.6-125-*12-A | 125 | 12    | 27   | 15.8 | 18 | 35.5 | 3             | 659  |
| GN 950.6-140-*14-A | 140 | 14    | 29   | 17   | 19 | 38.5 | 3             | 865  |
| GN 950.6-160-*14-A | 160 | 14    | 31   | 17.5 | 20 | 39.5 | 3             | 1156 |
| GN 950.6-200-*18-A | 200 | 18    | 37   | 20   | 24 | 44.5 | 3             | 1938 |

### GN 950.6-F

STAINLESS STEEL

| Description        | d1  | d2 H9 | d3 ≈ | d4   | b    | l1 | l2 ≈ | l3   | r  | Ø Handle | No. of spokes | ⚖    |
|--------------------|-----|-------|------|------|------|----|------|------|----|----------|---------------|------|
| GN 950.6-100-*10-F | 100 | 10    | 25.5 | M 6  | 14.5 | 17 | 33   | 48.5 | 36 | 16       | 3             | 480  |
| GN 950.6-125-*12-F | 125 | 12    | 27   | M 8  | 15.8 | 18 | 35.5 | 62   | 47 | 20       | 3             | 770  |
| GN 950.6-140-*14-F | 140 | 14    | 29   | M 8  | 17   | 19 | 38.5 | 62   | 52 | 20       | 3             | 940  |
| GN 950.6-160-*14-F | 160 | 14    | 31   | M 10 | 17.5 | 20 | 39.5 | 77   | 62 | 25       | 3             | 1320 |
| GN 950.6-200-*18-F | 200 | 18    | 37   | M 10 | 20   | 24 | 44.5 | 77   | 80 | 25       | 3             | 2060 |

Weight bore code B

